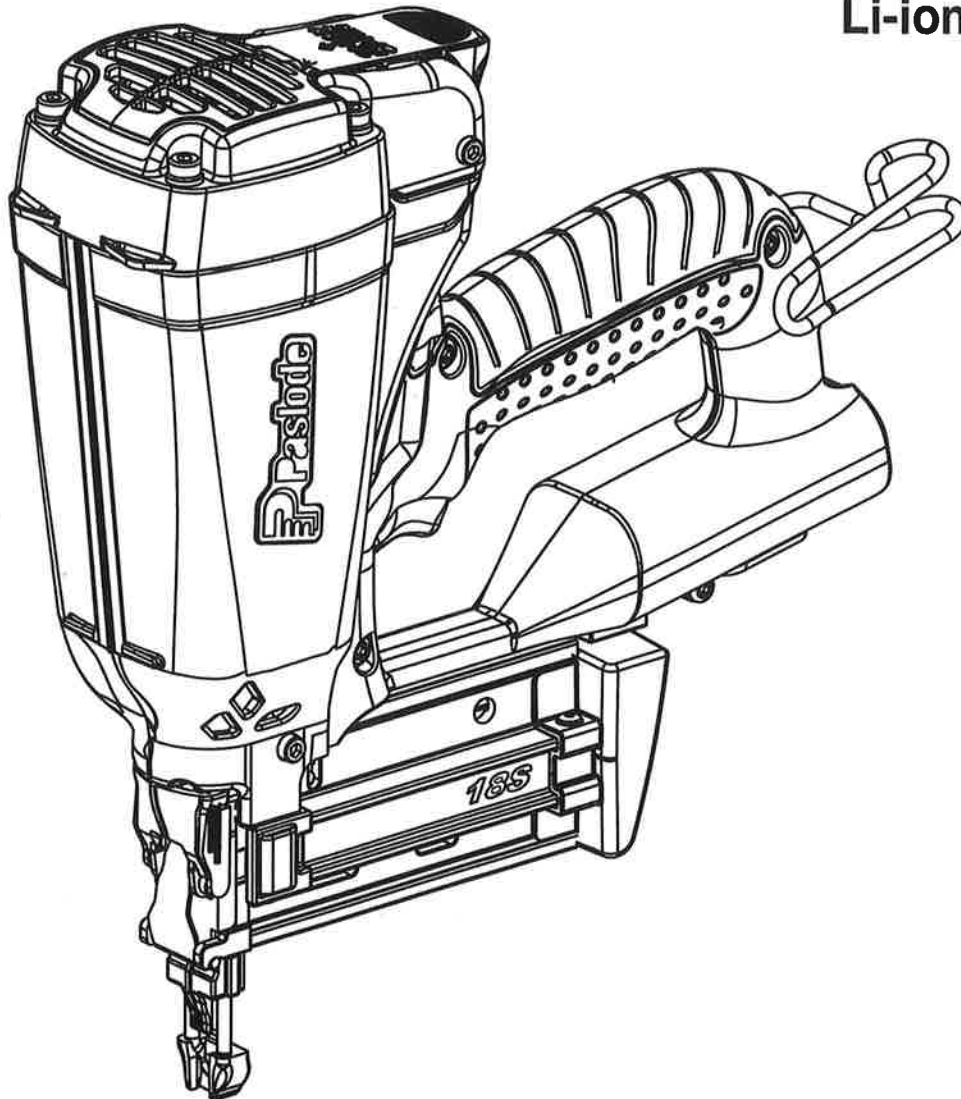




Part No. 918150

**Model IM200Li.2  
18 Gauge Cordless  
Li-ion Brad Nailer**



**IMPORTANT!**

**DO NOT DESTROY**

Always refer to operators manual for detailed information on this tool. It is the customers responsibility to have all operators and service personnel read and understand the information.

**TOOL SCHEMATIC AND PARTS**

# PARTS LEGEND

# IM200Li 18 Ga. Cordless Brad Nailer 918150

1	901064	4	S.H.C.S. 8-32 x 1-3/8"	46	901009	1	Latch Cover
2	904601	1	Grille, Black	47	901150	1	Latch Spring Clip Assembly
* 3	900648	1	Filter	48	901002	1	Front Plate
4	904557	2	Cap Screw	* 49	901048	1	Rubber Probe Tip
5	902446	1	Cap	50	903704	1	Probe
6	900785	1	Spark Plug, Insulator Sleeve	51	918922	1	Left Handle
* 7	900714	1	Spark Plug Assembly	52	901097	2	Shoulder Screw 8-32 SHCS P30
8	900596	1	Screw, Sem 8-32 x 7/16"	53	918919	2	Paslode Logo
9	900739	1	Cylinder Head Circuit Board	54	901066	4	Plastite Screw
10	901119	1	Retaining Ring, Motor	* 55	918903	2	Foam Pad, Battery
11	901112	1	Motor Assembly	** 56	918151	1	Warning Label
* 12	401356	1	Motor Sleeve	57	918928	1	Wear Strip
* 13	904546	1	Fuel Tube	58	918907	1	Magazine Base
14	902406	1	Fuel Block	59	900660	2	Screw, Rail 10-32 x 3/8 Hex Fit Hd
15	904521	1	Pivot Arm	60	901015	1	Follower
* 16	904517	1	Fuel Barb	61	901018	2	Pin, Magazine
17	901059	1	Front Channel Extrusion	* 62	901016	1	Constant Force Spring Assembly
* 18	901078	1	Piston Assembly	63	901052	1	Spring Cover
* 19	901040	1	Piston Ring	64	918905	1	Magazine Cover
20	901021	1	Bumper	* 65	901055	2	O-Ring, Retaining Ring
21	904504	1	Cylinder Head	66	901062	1	Screw, 6-32 x 1/8 BH
22	900709	1	Fan Assembly	67	901061	2	Screw, 6-32 x 3/16 BH
* 23	900612	4	Seal Ring	68	918924	1	Magazine End Cap
24	900700	1	Air Dam	69	900001	1	Magazine Latch Spring
25	900729	1	Combustion Chamber Assy.	70	918926	1	Latch Paddle
26	901036	1	Retaining Ring, Sleeve	71	901095	1	Switch Slide Assembly
27	901082	1	Trigger Assembly	72	918923	1	Right Handle
28	901038	1	Yoke Spring	73	900662	1	MSU Wire Assembly
29	900746	2	Screw,#8-32 x 7/16	74	918938	1	Molded Circuit
30	901037	1	Yoke	75	404702	1	Screw,Molded Circuit
* 31	901039	1	Yoke Bumper	76	900629	1	High Tention Clip
32	900734	1	Roll Pin	77	902440	1	Spark Unit
33	903710	1	Depth of Drive Assembly	78	904567	1	Spark Plug Wire Assembly
■ 34	405140	4	Screw 8-32 x 7/16"	79	904562	1	Fan Wire Assembly
35	900668	1	Muffler Cover	80	901044	1	Soft Grip
36	900609	1	Muffler	81	904544	1	Dosing Lever
37	900664	1	Reed Valve	82	902235	1	Retaining Ring
38	900665	1	Reed Plate	83	904550	1	Fuel Door
39	901089	1	Prefilter Disk	84	902230	1	Fuel Door Pin
* 40	900616	1	Exhaust O-Ring	85	918909	1	Utility Hook Cap Nut
■* 41	901026	2	Screw	86	918110	1	Utility Hook Button
42	901004	1	Front Plate Support	87	918911	1	Utility Hook Block
43	901025	1	Support Pin	88	918913	1	Spring, Utility Hook
* 44	901003	1	Back Plate	89	918906	1	Utility Hook, Wire Form
45	900685	1	Latch Cover Pin				

- \* Denotes Normal Wear Items
- Apply Loctite RC-620 (Green)
- \*\* Make sure Warning Label (918921) is properly affixed replace if necessary.
- Denotes Change

## SAFETY INSTRUCTIONS

### WEAR EYE AND HEARING PROTECTION

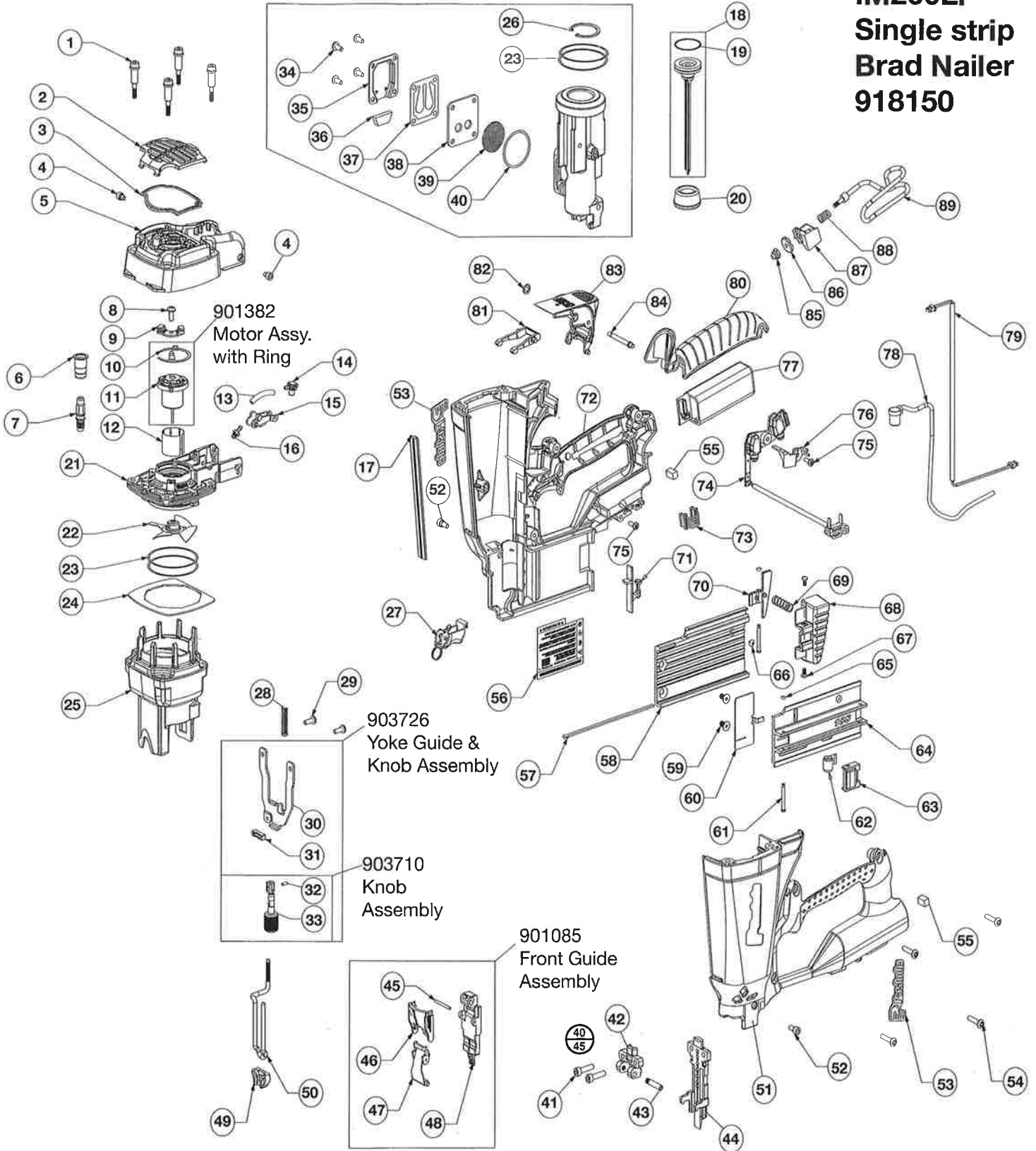


Always wear hearing protection and eye protection devices, including side shields when operating or working in the vicinity of a tool.



901081 Sleeve Assembly

**IM200Li  
Single strip  
Brad Nailer  
918150**



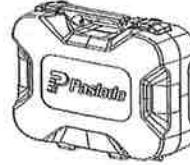
TORQUE VALUES				
<table border="1"> <tr> <td>MIN</td> <td rowspan="2">IN/LBS</td> </tr> <tr> <td>MAX</td> </tr> </table>	MIN	IN/LBS	MAX	
MIN	IN/LBS			
MAX				

**⚠ WARNING**

**All parts must be periodically inspected and replaced if worn or broken. Failure to do this can present a safety hazard.**

# ACCESSORIES

**Carrying Case**



Part No. 902445

---

**Battery**



Part No. 902654

---

**Paslode Cordless Lubricating Oil**



Part No. 401482

---

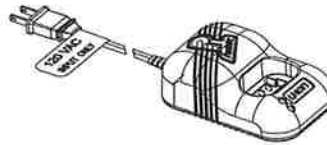
**Torx Key - T7**

For tightening fan blade to motor

Part No. 900183

---

**Battery Charger**



Part No. 902667

---

**Clear Safety Glasses**



Part No. 401382

---

**Tool Cleaner**

Ideal cleaner for all Paslode tools



Part No. 219348

---

**No- Mar Tip - Hard Tip**

Part No. 901048

**No- Mar Tip - Soft Tip**

Part No. 901067

---



ITW Construction Products  
120 Travail Rd.  
Markham, ON L3S 3J1  
www.paslode.ca  
Tel # 800-387-6472

918155-1  
01/23